

**GROVE**

ABDECKUNG 2,55M

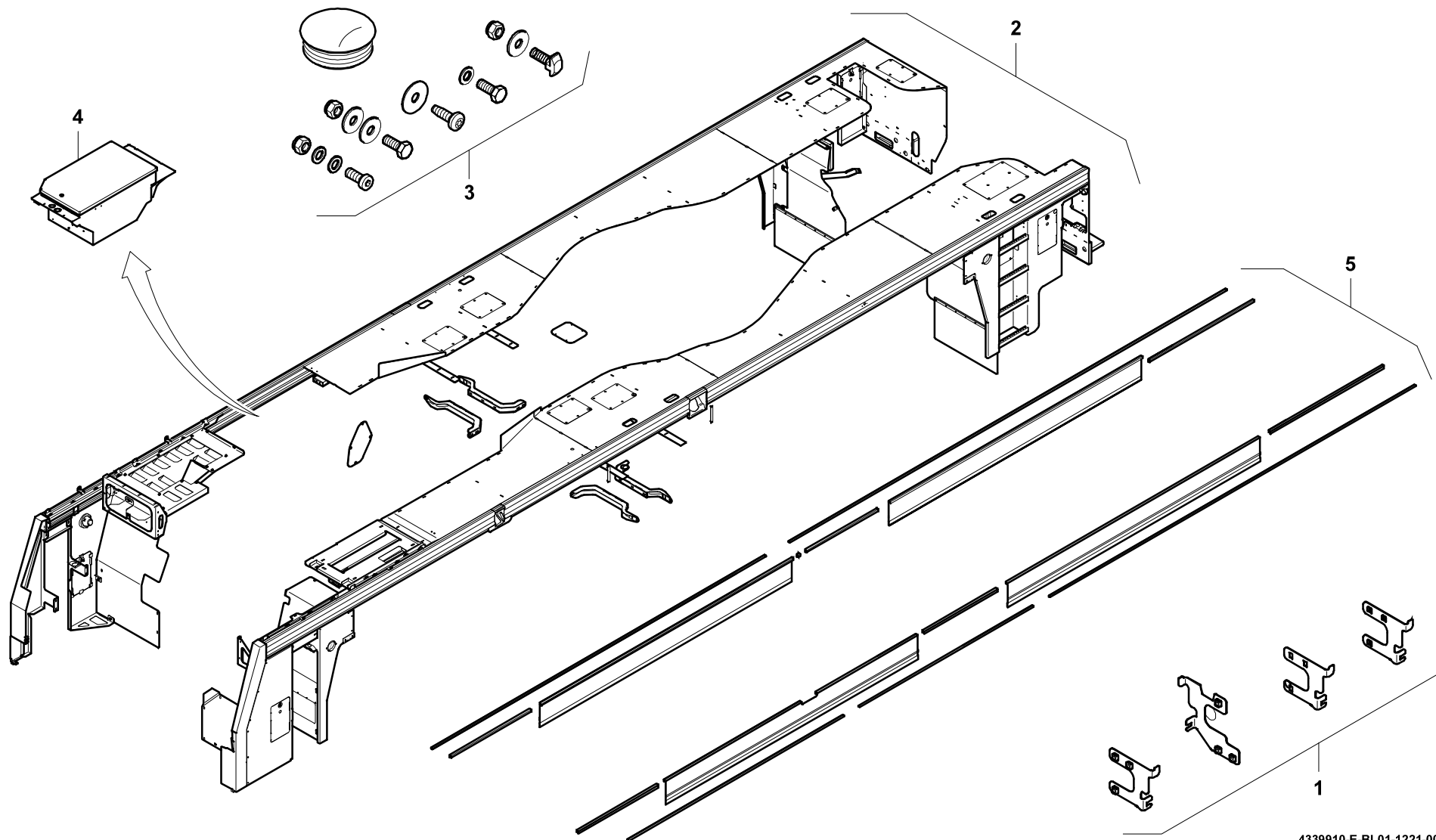
DECKING 2,55M

BILDТАFЕL  
PICTORIAL DISPLAY**GMK4080-3**

12.21

**4339910-ETL E**

1/1



4339910-E-BL01-1221-0000